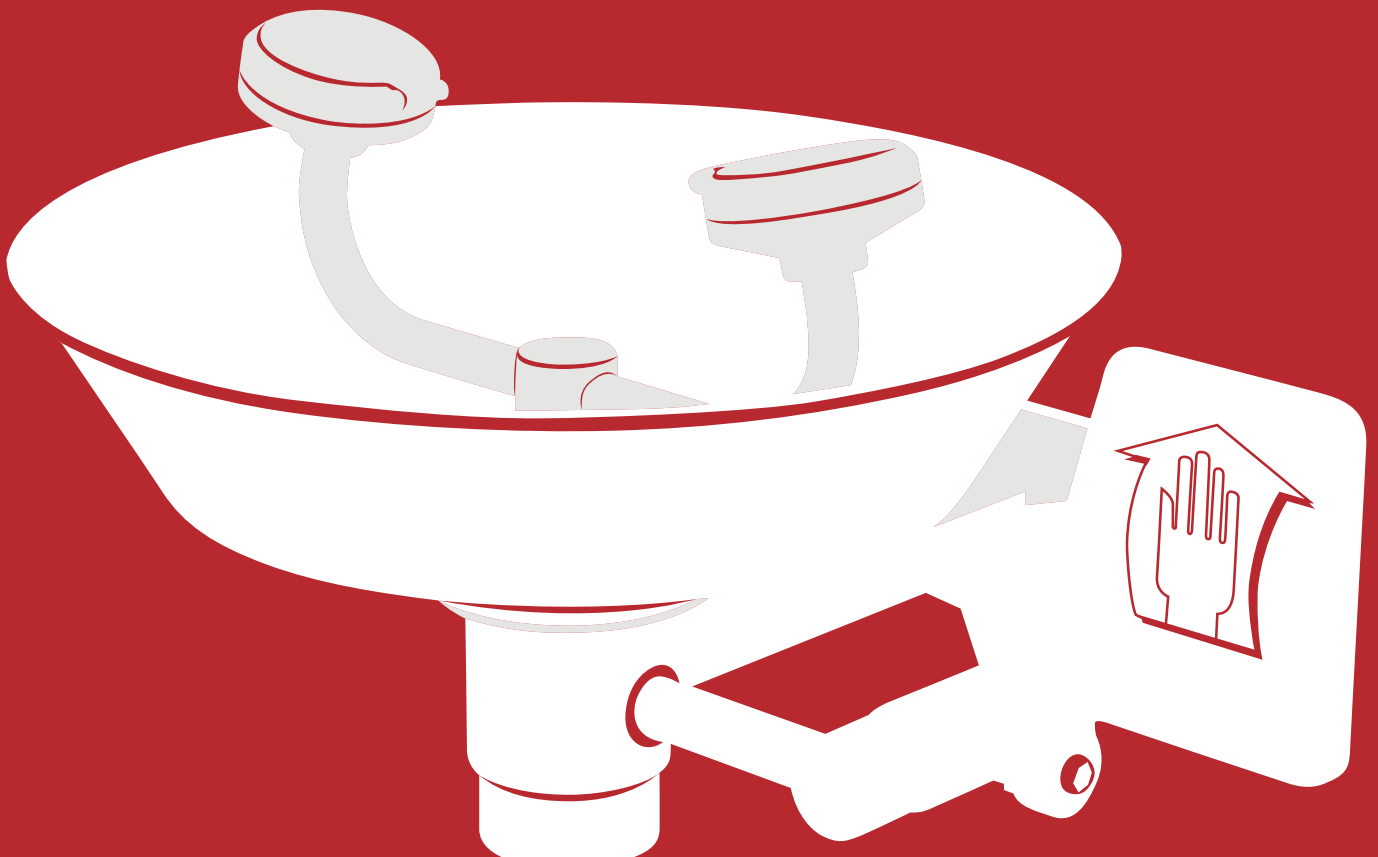




EMERGENCY SHOWERS AND EYEWASHES

TO PREVENT HARM FROM HAZARDOUS SUBSTANCES, TO PEOPLE AND THE ENVIRONMENT



Contact us :

Phone 04-232-5111 or by email sales@survive-it.co.nz
Or contact Steven: mobile 0278764960 or steven@survive-it.co.nz

survive-it

prepare now



survive later

3	Foreword
4-5	General Considerations
6-7	Emergency Showers
8-17	Safety Stations with Eye/Face Wash
18-23	Eye/Face Wash
24-25	Portable Units
26	Accessories
27-31	Tobin Eyewash Systems

Businesses use products with hazardous properties (hazardous substances) on a daily basis. Goods that are flammable, corrosive, explosive, toxic, oxidising or ecotoxic are useful because of their hazardous properties i.e. petrol that didn't ignite wouldn't be a very useful fuel for vehicles.

However, because of their properties, hazardous substances can cause serious harm to people and the environment and additional care must be taken when storing, handling and disposing of these substances.

Dalton International is dedicated to preventing harm from hazardous substances to people and the environment. We do this every day by working towards our Vision of being New Zealand's leading provider of safety solutions for businesses working with hazardous substances.





01

FIRST AID DEVICES

Emergency eyewash and shower units are designed to deliver water to rinse contaminants from a user's eyes, face or body. As such, they are a form of first aid equipment to be used in the event of an accident. However, they are not a substitute for primary protective devices (including eye and face protection and protective clothing) or for safe procedures for handling hazardous materials.

02

LOCATION OF EMERGENCY EQUIPMENT

The ANSI standard states that emergency equipment be installed within 10 seconds walking time from the location of a hazard. The equipment must be installed on the same level as the hazard (i.e. no going up or down stairs or ramps). The path of travel should be free of obstructions and as straight as possible. Where workers are handling particularly strong acids, caustics or other materials where the consequences of a spill would be very serious, emergency equipment should be installed immediately adjacent to the hazard.

03

WATER TEMPERATURE

The standard states that the water temperature delivered by emergency equipment should be 'tepid.' Tepid is defined to be between 16°C and 38°C. However, in circumstances where a chemical reaction is accelerated by flushing fluid temperature, a facilities safety/health advisor should be consulted to determine the optimum water temperature for each application.

04

SHUT OFF VALVES

Plumbed emergency equipment must be connected to a potable water supply line. It may be advisable to install a shut off valve on the water line, upstream of the unit, to facilitate maintenance of the equipment. If a shut off valve is installed, provision must be made to prevent unauthorized closure of the shut off valve. Such provision can include removing the handle of the shut off valve or locking the valve in the open position. Only maintenance personnel should be authorized to place a handle on or unlock the valve.

05

CORROSION RESISTANCE

Once connected to a water supply line, water will enter the emergency equipment and stand in the unit up to the valve(s). When activated, water will flow through the entire unit. Therefore, the unit must be constructed of materials that will not corrode when exposed to water for extended periods of time. In addition to this general provision, the standard specifically requires that valves be resistant to corrosion. Emergency equipment should therefore be constructed of materials that will resist rusting and corrosion. Materials that are considered acceptable for this purpose include brass, galvanized steel and many types of plastics (ABS, nylon, etc.). However, these materials may not provide durable service when exposed to harsh industrial conditions, may deteriorate in direct sunlight or be subject to other limitations.

Therefore, for maximum durability, the following materials should also be considered:

- Epoxy coated galvanized steel
- Epoxy coated brass
- Stainless steel
- PVC

06

FREEZING

There are many applications where emergency equipment must be installed in areas that are subject to freezing conditions. Such areas may include any type of outdoor area (bulk material handling facility, tank farm, etc.), as well as some interior areas (loading docks, low temperature facilities, etc.). In these cases, the emergency equipment must be protected against freezing. Equipment that is designed and manufactured to be freeze-resistant should be installed. There are a number of different types of freeze-resistant equipment, including:

- Units that have a temperature actuated bleed valve that permits water to flow through the unit when the temperature drops below freezing. These units are generally used only where the possibility of freezing is very infrequent.
- Units on which the valve is mounted behind a wall or buried below the frost line and is remote-activated.
- Combination units that are electrically heated (heat-traced) and insulated.
- Units that have a heated enclosure to fully contain and protect both the equipment and the user.

07

DISPOSAL OF WATER

The standard does not include any specific provisions regarding the disposal of waste water. However, designers must give consideration to where waste water will go. In particular, care must be taken that waste water not create a hazard (i.e. by creating a pool in which someone might slip) or freeze.

Generally, our eyewash, eye/face wash and safety station units are designed with waste connections for connection to drain piping. **WE RECOMMEND THAT EMERGENCY EYEWASH BE CONNECTED TO DRAIN PIPING. FOR EMERGENCY SHOWERS AND FOR OTHER UNITS WITHOUT WASTE CONNECTIONS, FLOOR DRAINS SHOULD BE PROVIDED.**

After an emergency eyewash or shower unit has been used, the waste water may contain hazardous materials that cannot or should not be introduced into a sanitary sewer. It may be necessary to connect the drain piping from the emergency equipment or floor drain to the building's acid waste disposal system or to a neutralizing tank.

08

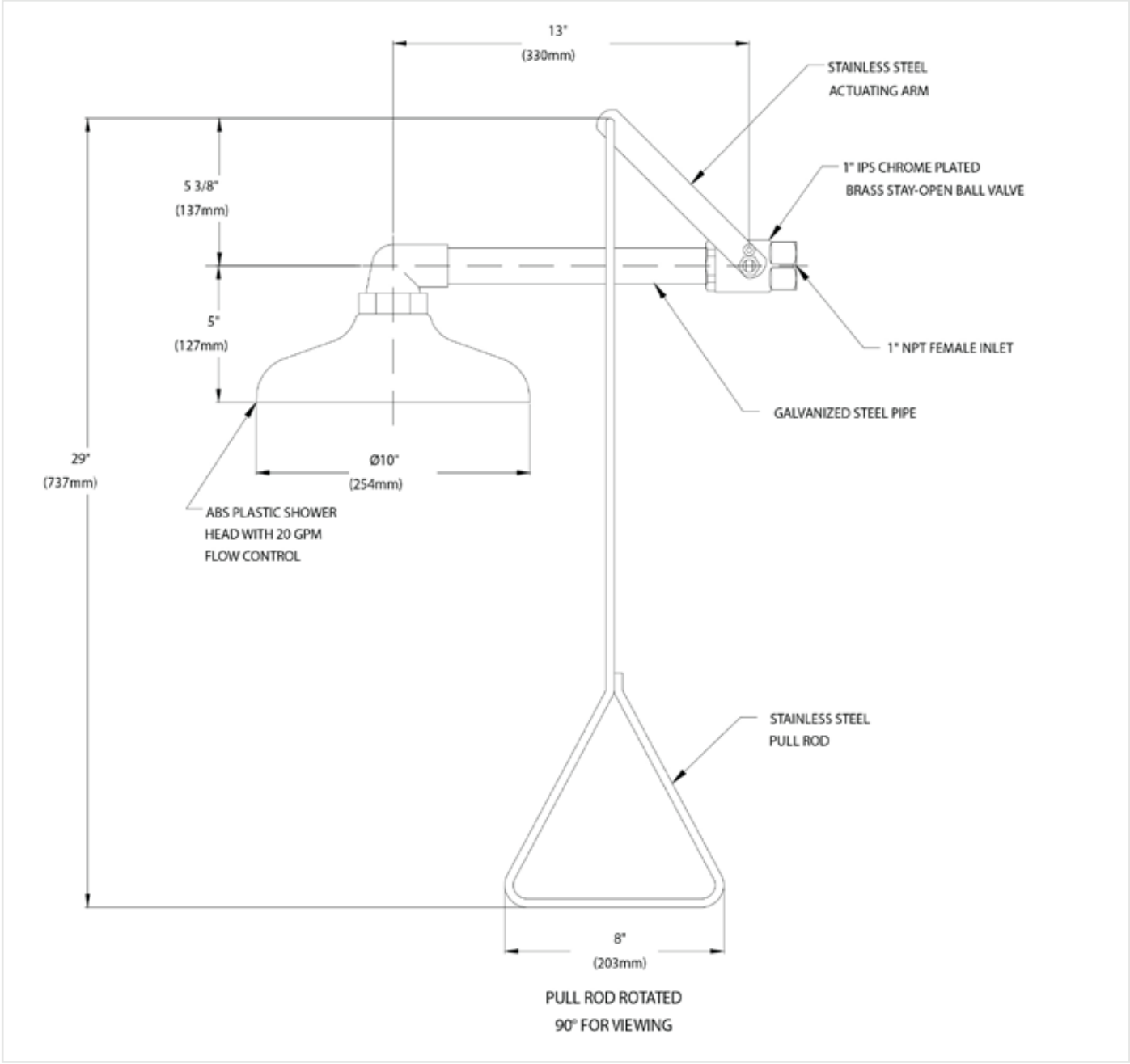
EMERGENCY RESPONSE

Simply installing emergency equipment is not sufficient to assure worker safety. Employees must be trained in the location of emergency equipment and in its proper use. Emergency equipment must be regularly maintained (including weekly activation of the equipment) to assure that it is in working order and inspected at least annually for compliance with the standard. Most importantly, employers should develop a response plan to be used in the event that an accident does occur. The focus of the response plan should be to provide assistance to the injured worker as quickly as possible.

HORIZONTALLY MOUNTED PLASTIC SHOWER HEAD



CODE	GC1643
APPLICATION	Emergency shower for horizontal mounting.
SHOWER HEAD	245mm diameter with 75L/min flow control. Shower head is orange ABS plastic
VALVE	1" IPS chrome plated brass stay-open ball valve. Valve is US-made with chrome plated brass ball and PTFE seals. Furnished with stainless steel actuating arm and 73.66cm stainless steel pull rod.
PIPE AND FITTINGS	1" IPS galvanized steel nipple with orange ABS plastic elbow. Orange powder coated finish on pipe and fittings.
SUPPLY	1" NPT female inlet.
SIGN	ANSI-compliant identification sign.

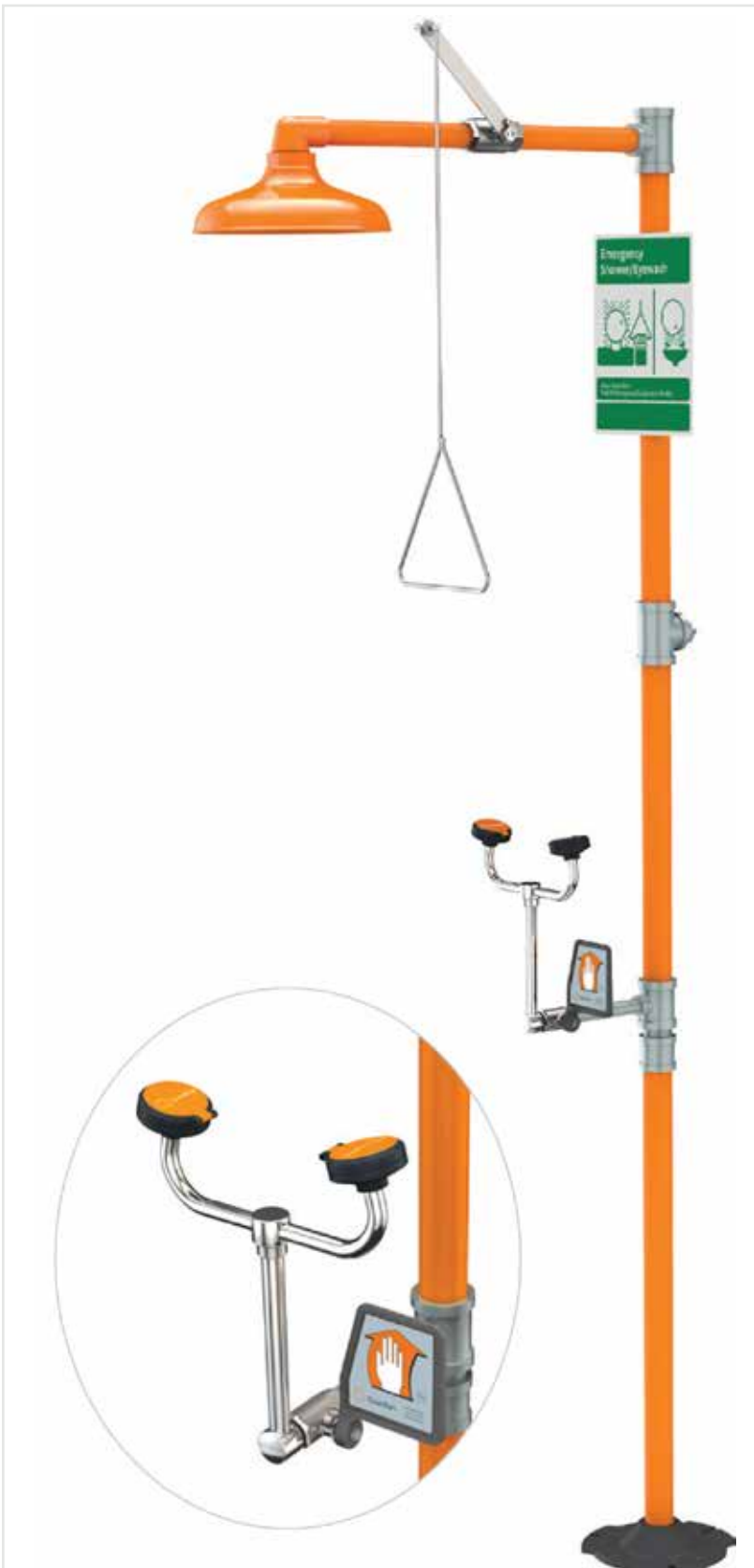


SIGN INCLUDED



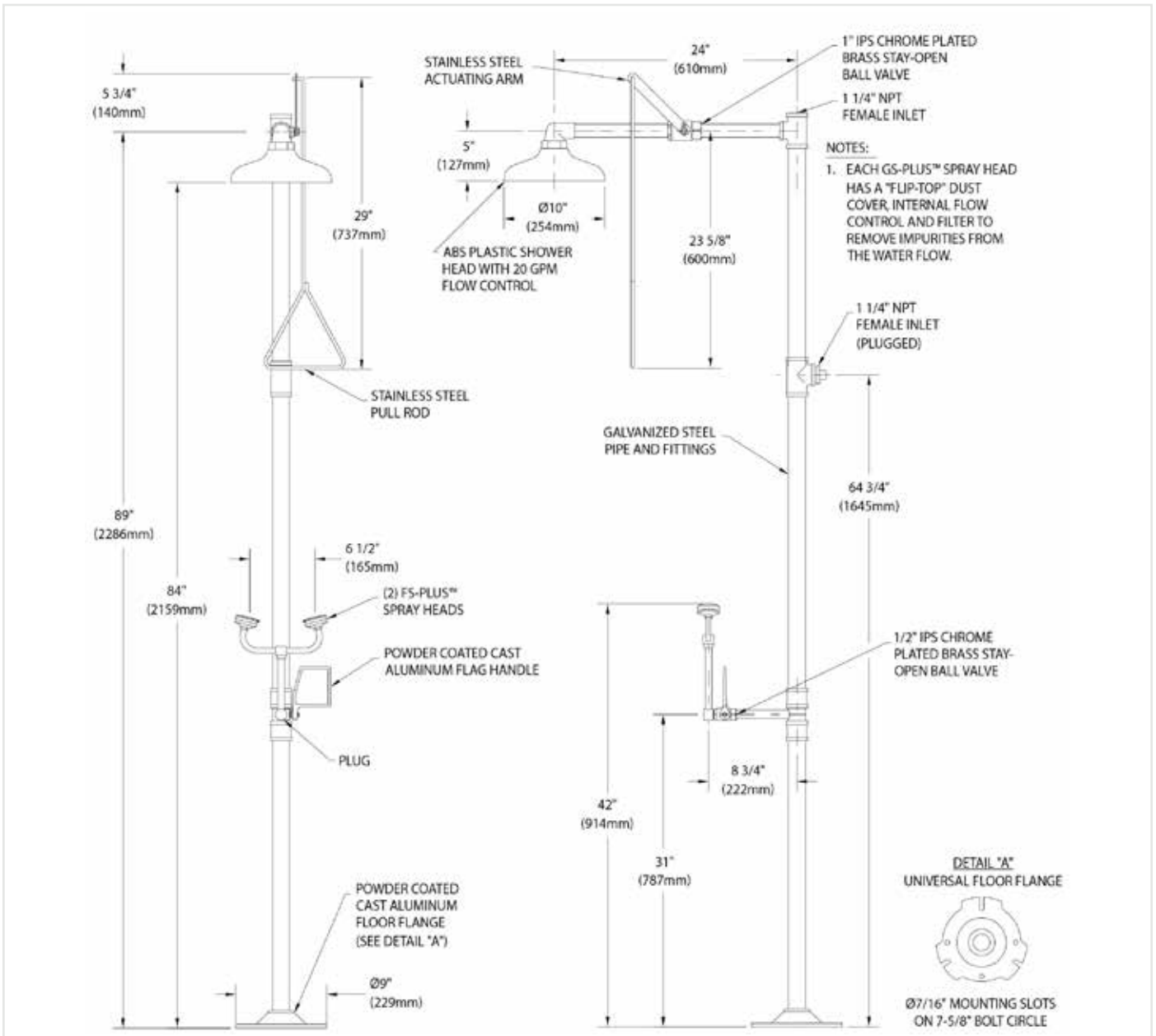
SAFETY STATIONS WITH EYE/FACE WASH

SAFETY STATION WITH EYE/FACE WASH - NO BOWL



CODE	GC1931
APPLICATION	Combination eye/face wash and shower safety station. Eye/face wash features two large FS-Plus™ spray-type outlet heads that deliver a flood of water for rinsing eyes and face. Unit is provided without bowl or drain for waste water. <i>Note: Floor drain should be provided underneath unit to prevent accumulation of water on floor.</i>
SHOWER HEAD	245mm diameter orange ABS plastic with 75L/min flow control.
SHOWER VALVE	1" IPS chrome plated brass stay-open ball valve. Valve is US-made with chrome plated brass ball and PTFE seals. Furnished with stainless steel actuating arm and 73.66cm stainless steel pull rod.
SPRAY HEAD ASSEMBLY	Two FS-Plus™ spray heads. Each head has a "flip top" dust cover, internal flow control and filter to remove impurities from water flow.
EYE/FACE WASH VALVE	1/2" IPS chrome plated brass stay-open ball valve. Valve is US-made with chrome plated brass ball and PTFE seals.
PIPE AND FITTINGS	Schedule 40 galvanized steel. Furnished with orange polyethylene pipe covers for high visibility and corrosion resistance. Orange powder coated finish on pipe and fittings.
SUPPLY	1-1/4" NPT female top or side inlet.
SIGN	ANSI-compliant identification sign.
QUALITY ASSURANCE	Valve and spray head assemblies are factory assembled and water tested prior to shipment.

SAFETY STATIONS WITH EYE/FACE WASH



SIGN INCLUDED



SAFETY STATIONS WITH EYE/FACE WASH

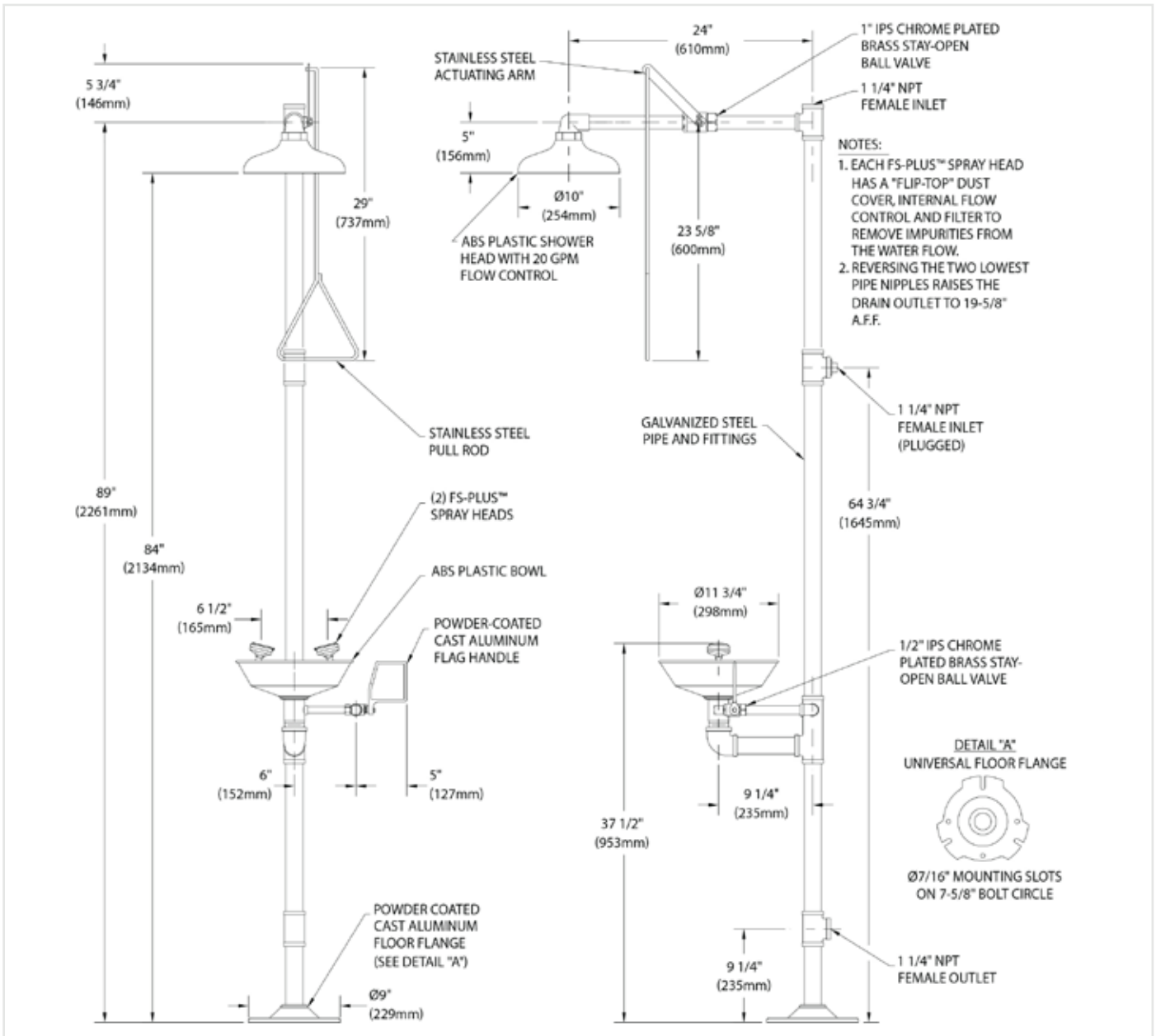
SAFETY STATION WITH EYE/FACE WASH - WITH PLASTIC BOWL



 Guardian

CODE	GC1950P
APPLICATION	Combination eye/face wash and shower safety station. Eye/face wash features a plastic bowl with two large FS-Plus™ spray-type outlet heads that deliver a flood of water for rinsing eyes and face.
SHOWER HEAD	245mm diameter orange ABS plastic with 75L/min flow control.
SHOWER VALVE	1" IPS chrome plated brass stay-open ball valve. Valve is US-made with chrome plated brass ball and PTFE seals. Furnished with stainless steel actuating arm and 73.66cm stainless steel pull rod.
SPRAY HEAD ASSEMBLY	Two FS-Plus™ spray heads. Each head has a "flip top" dust cover, internal flow control and filter to remove impurities from water flow.
EYE/FACE WASH BOWL	298mm diameter orange ABS plastic.
EYE/FACE WASH VALVE	1/2" IPS chrome plated brass stay-open ball valve. Valve is US-made with chrome plated brass ball and PTFE seals.
PIPE AND FITTINGS	Schedule 40 galvanized steel. Furnished with orange polyethylene pipe covers for high visibility and corrosion resistance. Orange powder coated finish on pipe and fittings.
SUPPLY	1-1/4" NPT female top or side inlet.
WASTE	1-1/4" NPT female outlet. Outlet can be positioned at either 235mm or 498mm above finished floor by reversing lower pipe nipples.
SIGN	ANSI-compliant identification sign.
QUALITY ASSURANCE	Valve and spray head assemblies are factory assembled and water tested prior to shipment.

SAFETY STATIONS WITH EYE/FACE WASH



SIGN INCLUDED



SAFETY STATIONS WITH EYE/FACE WASH

SAFETY STATION WITH EYE/FACE WASH HAND & FOOT CONTROL - PLASTIC BOWL

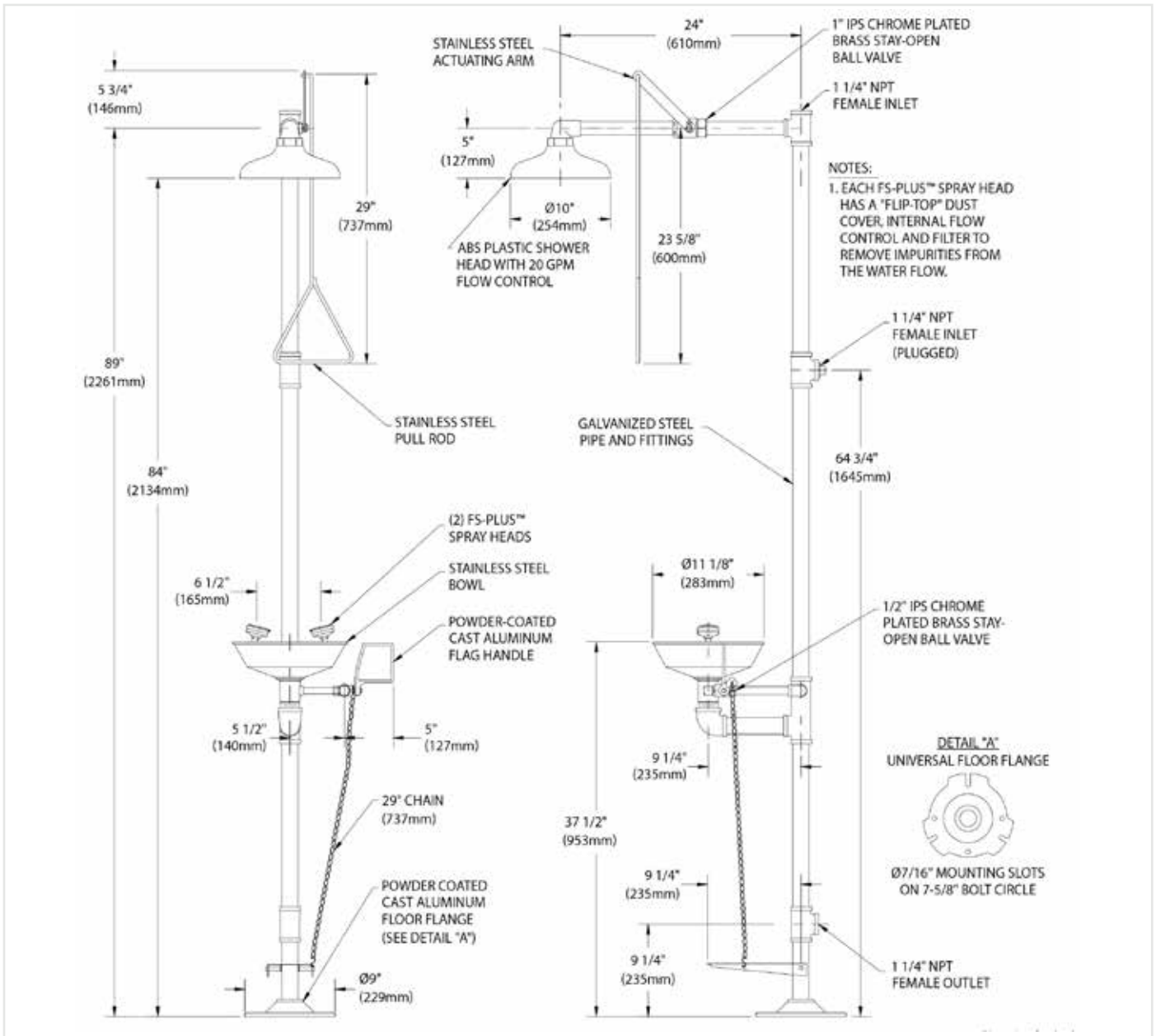


OPTIONAL:
Stainless Steel Bowl
Diameter: 283mm
Code: G100-008R

CODE	GC1950PHFC
APPLICATION	Combination eye/face wash and shower safety station. Eye/face wash is activated by flag handle or foot treadle and features two large FS-Plus™ spray-type outlet heads that deliver a flood of water for rinsing eyes and face.
SHOWER HEAD	245mm diameter orange ABS plastic with 20 GPM flow control.
SHOWER VALVE	1" IPS chrome plated brass stay-open ball valve. Valve is US-made with chrome plated brass ball and PTFE seals. Furnished with stainless steel actuating arm and 737mm stainless steel pull rod.
SPRAY HEAD ASSEMBLY	Two FS-Plus™ spray heads. Each head has a "flip top" dust cover, internal flow control and filter to remove impurities from water flow.
EYE/FACE WASH BOWL	298mm diameter orange ABS plastic bowl.
EYE/FACE WASH VALVE	1/2" IPS chrome plated brass stay-open ball valve. Valve is US-made with chrome plated brass ball and PTFE seals. Valve is activated by flag handle or foot treadle. Unit remains in operation until handle is returned to closed position.
PIPE AND FITTINGS	Schedule 40 galvanized steel. Furnished with orange polyethylene pipe covers for high visibility and corrosion resistance. Orange powder coated finish on pipe and fittings.
SUPPLY	1-1/4" NPT female top or side inlet.
WASTE	1-1/4" NPT female outlet.
SIGN	ANSI-compliant identification sign.
QUALITY ASSURANCE	Valve and spray head assemblies are factory assembled and water tested prior to shipment.



SAFETY STATIONS WITH EYE/FACE WASH



SIGN INCLUDED

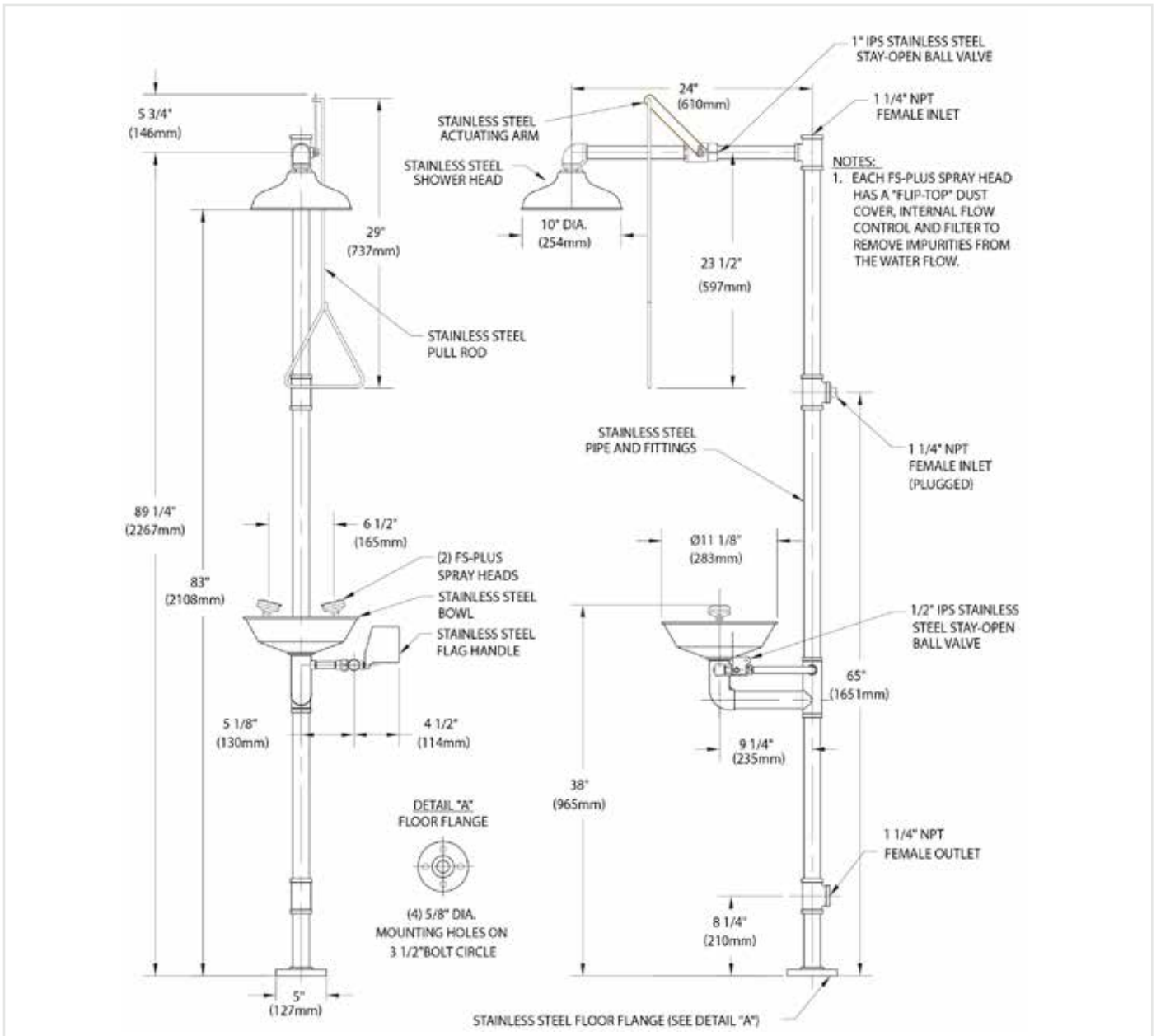


SAFETY STATIONS WITH EYE/FACE WASH

SAFETY STATION WITH EYE/FACE WASH - ALL STAINLESS STEEL CONSTRUCTION



CODE	G1996
APPLICATION	All-stainless steel combination eye/face wash and shower safety station. Stainless steel construction is ideal for highly corrosive environments and clean room applications. Two large FS-Plus™ spray-type outlet heads deliver a flood of water for rinsing eyes and face.
SHOWER HEAD	245mm diameter stainless steel.
SHOWER VALVE	1" IPS Type 316 stainless steel stay-open ball valve. Valve has stainless steel ball and Teflon® seals. Furnished with stainless steel actuating arm and 73.66cm stainless steel pull rod.
SPRAY HEAD ASSEMBLY	Two FS-Plus™ spray heads. Each head has a "flip top" dust cover, internal flow control and filter to remove impurities from the water flow.
EYE/FACE WASH BOWL	292mm diameter stainless steel bowl.
EYE/FACE WASH VALVE	1/2" IPS Type 316 stainless steel stay open ball valve. Valve has stainless steel ball and Teflon® seals.
PIPE AND FITTINGS	Schedule 40 Type 304 brushed stainless steel. Furnished with orange polyethylene covers for vertical piping for high visibility and corrosion resistance.
SUPPLY	1-1/4" NPT female top or side inlet.
WASTE	1-1/4" NPT female outlet.
SIGN	ANSI-compliant identification sign.
QUALITY ASSURANCE	Valve and spray head assemblies are factory assembled and water tested prior to shipment.



SIGN INCLUDED



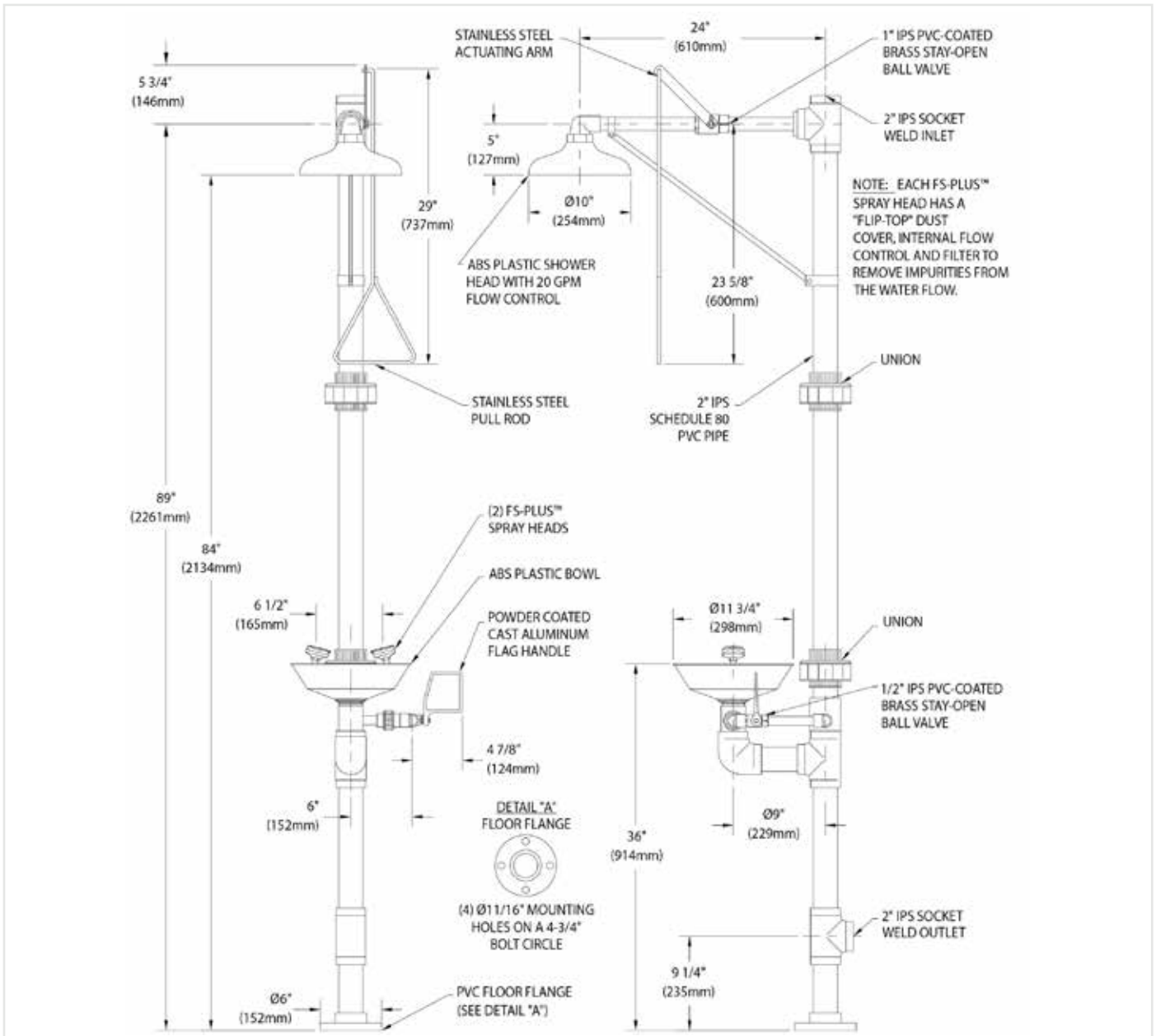
SAFETY STATIONS WITH EYE/FACE WASH

SAFETY STATION WITH EYE/FACE WASH - ALL PVC CONSTRUCTION



CODE	G1993
APPLICATION	All-PVC combination eye/face wash and shower safety station. Unit is constructed entirely of PVC and PVC coated components for superior corrosion resistance. Ideal for industrial environments where harsh acids or caustics are present. Eye/face wash features two large FS-Plus™ spray-type outlet heads that deliver a flood of water for rinsing eyes and face.
SHOWER HEAD	245mm diameter orange ABS plastic with 20 GPM flow control.
SHOWER VALVE	1" IPS PVC-coated brass stay-open ball valve. Valve is US-made with chrome plated brass ball and PTFE seals. Furnished with stainless steel actuating arm and 73.66cm stainless steel pull rod.
SPRAY HEAD ASSEMBLY	Two FS-Plus™ spray heads. Each head has a "flip top" dust cover, internal flow control and filter to remove impurities from water flow.
EYE/FACE WASH BOWL	298mm diameter orange ABS plastic.
EYE/FACE WASH VALVE	1/2" IPS PVC-coated brass stay-open ball valve. Valve is US-made with chrome plated brass ball and PTFE seals.
PIPE AND FITTINGS	Schedule 80 PVC.
SUPPLY	2" IPS socket weld top female inlet.
WASTE	2" IPS socket weld female outlet.
SIGN	ANSI-compliant identification sign.
QUALITY ASSURANCE	Valve and spray head assemblies are factory assembled and water tested prior to shipment.

SAFETY STATIONS WITH EYE/FACE WASH



SIGN INCLUDED

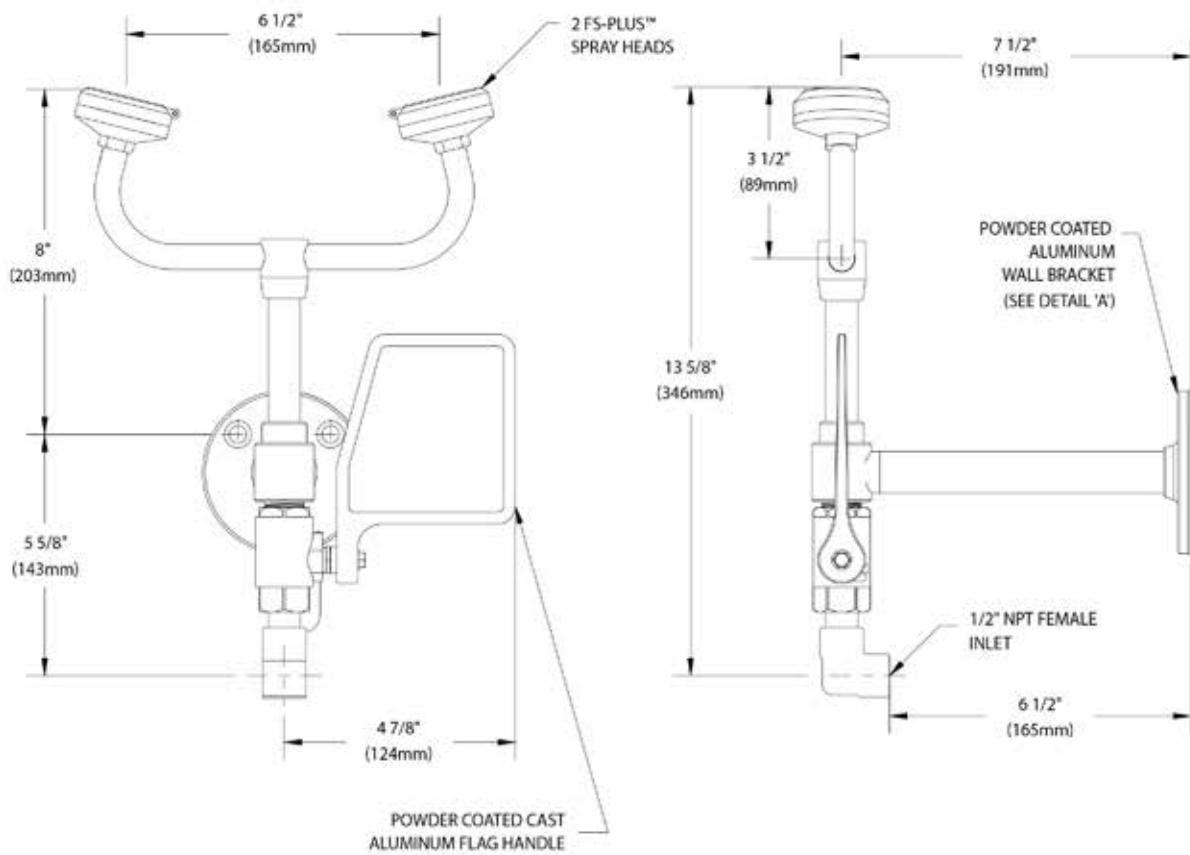


EYE/FACE WASHES

EYE/FACE WASH WALL MOUNTED - NO BOWL

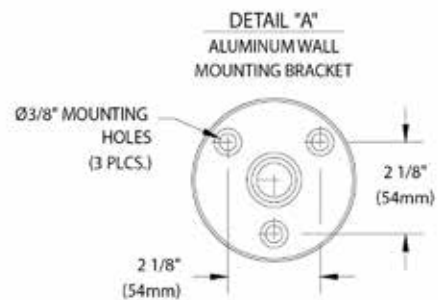


CODE	G1771
APPLICATION	Eye/face wash for wall mounting. Two large FS-Plus™ spray-type outlet heads deliver a flood of water for rinsing eyes and face. Unit is provided without bowl or drain for waste water. Note: Floor drain should be provided underneath unit to prevent accumulation of water on floor.
SPRAY HEAD ASSEMBLY	Two FS-Plus™ spray heads. Each head has a “flip top” dust cover, internal flow control and filter to remove impurities from the water flow
VALVE	1/2” IPS chrome plated brass stay-open ball valve. Valve is US-made with chrome plated brass ball and PTFE seals.
MOUNTING	Heavy duty cast aluminum wall bracket with corrosion resistant powder coated finish.
CONSTRUCTION	Polished chrome plated brass.
SUPPLY	1/2” NPT female inlet.
SIGN	ANSI-compliant identification sign.
QUALITY ASSURANCE	Unit is completely assembled and water tested prior to shipment.



NOTES:

1. EACH FS-PLUS™ SPRAY HEAD HAS A "FLIP-TOP" DUST COVER, INTERNAL FLOW CONTROL AND FILTER TO REMOVE IMPURITIES FROM THE WATER FLOW.
2. UNIT SHOULD BE INSTALLED SUCH THAT WATER FLOW PATTERN IS POSITIONED BETWEEN 33" AND 53" ABOVE FLOOR.



SIGN INCLUDED

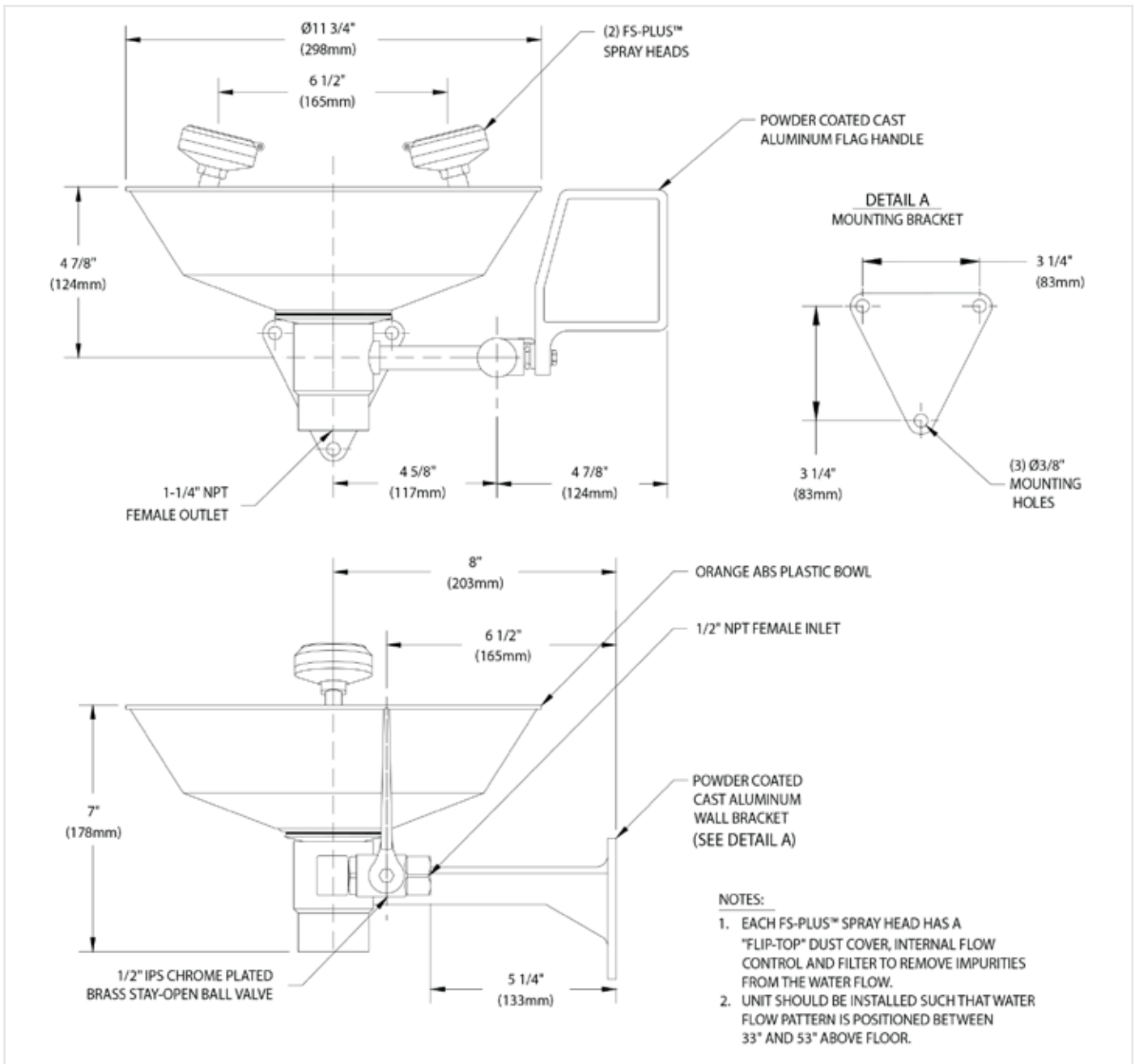


EYE/FACE WASHES

EYE/FACE WASH WALL MOUNTED - PLASTIC BOWL



CODE	G1750P
APPLICATION	Eye/face wash with plastic bowl for wall mounting. Two large FS-Plus™ spray-type outlet heads deliver a flood of water for rinsing eyes and face.
SPRAY HEAD ASSEMBLY	Two FS-Plus™ spray heads. Each head has a "flip top" dust cover, internal flow control and filter to remove impurities from the water flow.
VALVE	1/2" IIPS chrome plated brass stay-open ball valve. Valve is US-made with chrome plated brass ball and PTFE seals.
BOWL	298mm diameter orange ABS plastic bowl.
MOUNTING	Heavy duty cast aluminum wall bracket with corrosion resistant powder coated finish.
SUPPLY	1/2" NPT female inlet.
WASTE	1-1/4" NPT female outlet.
SIGN	ANSI-compliant identification sign.
QUALITY ASSURANCE	Unit is completely assembled and water tested prior to shipment.



SIGN INCLUDED

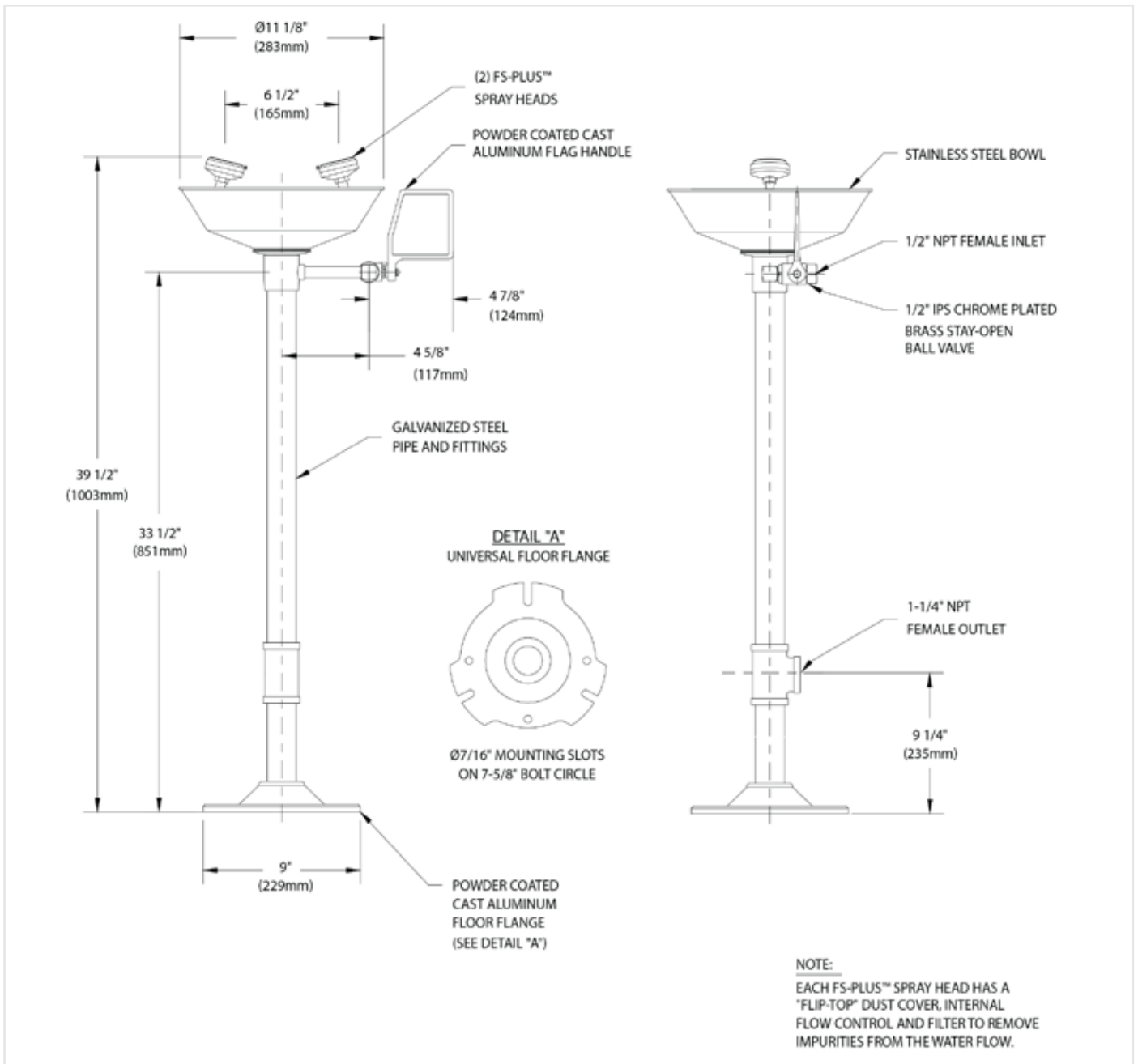


EYE/FACE WASHES

EYE/FACE WASH PEDESTAL MOUNTED - PLASTIC BOWL



CODE	GC1760P
APPLICATION	Free standing, pedestal mounted eye/face wash. Two large FS-Plus™ spray-type outlet heads deliver a flood of water for rinsing eyes and face.
SPRAY HEAD ASSEMBLY	Two FS-Plus™ spray heads. Each head has a "flip top" dust cover, internal flow control and filter to remove impurities from the water flow.
BOWL	298cm diameter orange ABS plastic.
VALVE	1½" IPS PVC-coated brass stay-open ball valve. Valve is US-made with chrome plated brass ball and PTFE seals.
PIPE AND FITTINGS	Schedule 40 galvanized steel. Furnished with orange polyethylene pipe covers for high visibility and corrosion resistance. Orange powder coated finish on pipe and fittings.
SUPPLY	1/2"NPT female inlet.
WASTE	1-1/4" NPT female outlet.
SIGN	ANSI-compliant identification sign.
QUALITY ASSURANCE	Valve and spray head assemblies are factory assembled and water tested prior to shipment.



SIGN INCLUDED



PORTABLE UNITS

56.78 LITRE PORTABLE EYEWASH/DRENCH HOSE UNIT

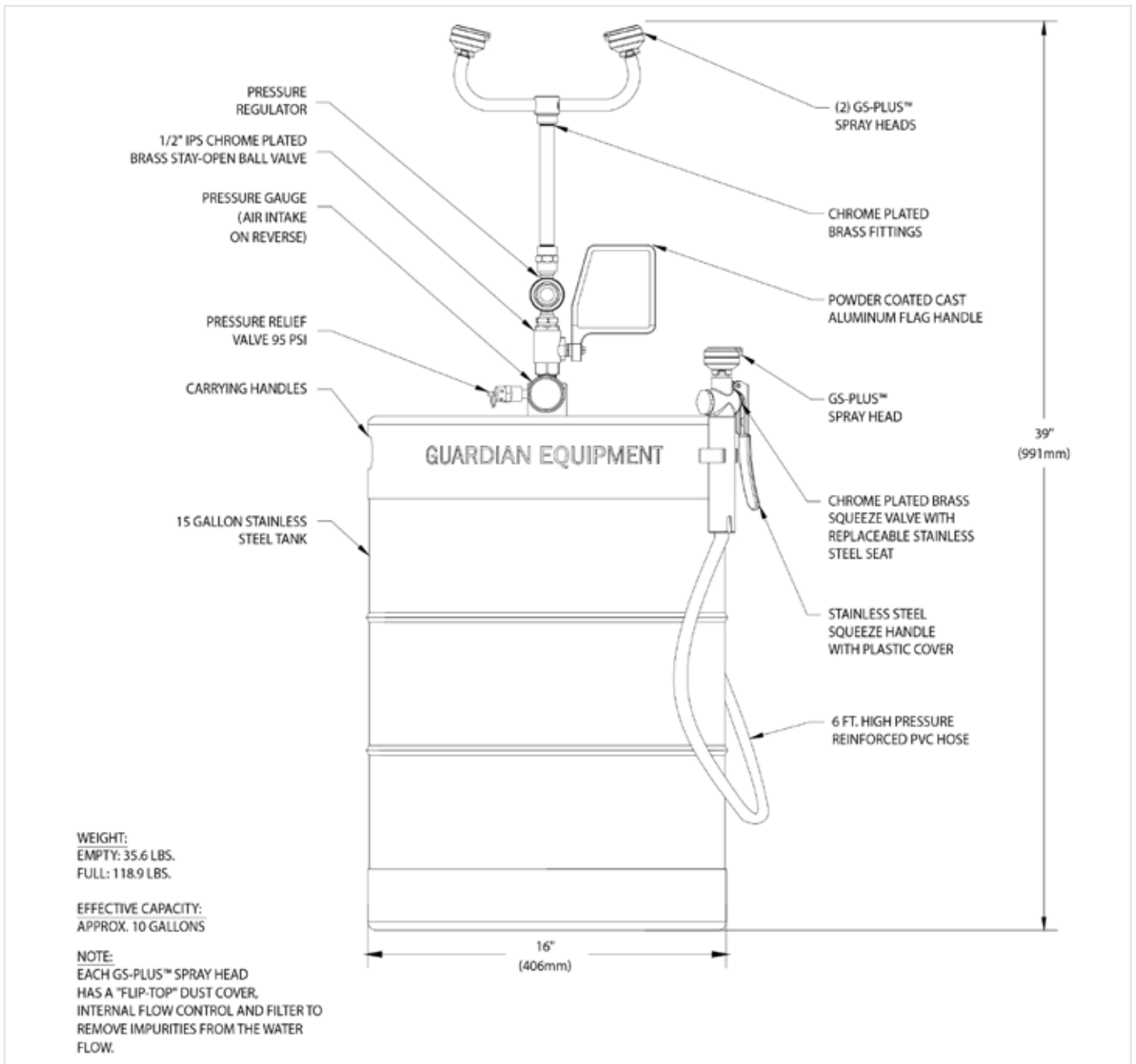


NOTE: Shown with optional Custom-sized stainless steel dolly for easy transport and storage. Includes (4) chemical resistant polyolefin wheels with lockable casters. Caster stems prevent unit from sliding off platform.

CODE: G1562DLY
(Sold separately)



CODE	G1562
APPLICATION	Self-contained eyewash and eyewash/drench hose units are ideal for use in low traffic areas, and where a continuous supply of potable water is unavailable for plumbed units. 56.78L pressurized units are ideal for floor placement near any hazard, and deliver approximately 37.9 usable liters of water for 15 minutes, thus complying with the provisions of ANSI Z358.1-2014 for eyewashes.
TANK	56.78L stainless steel pressurized tank with 37.9 liters usable capacity. Tank has built-in carrying handles, Schrader air intake valve, pressure gauge and pressure relief valve.
EYEWASH SPRAY HEAD ASSEMBLY	Two GS-Plus™ spray heads. Each head has a “flip top” dust cover, internal flow control and filter.
EYEWASH VALVE	1/2" IPS chrome plated brass stay-open ball valve with flag handle. Pressure regulator controls eyewash flow to 0.65 GPM for 15 minutes.
DRENCH HOSE UNIT	Auxiliary hand-held drench hose for rinsing eyes, face or body. Unit has single GS-Plus™ spray-type outlet head, self-closing valve with squeeze handle, and 1.8m reinforced PVC hose.
OPERATION	To operate unit, fill with clean potable water and add bacteriostatic additive (supplied with unit). Additive protects against growth of bacteria, fungus, algae and acanthamoeba. After filling with water, pressurize unit to 80 PSI. If necessary, adjust pressure regulator to achieve maximum flow for 15 minutes. Unit should be inspected regularly and water should be changed at least once every six months. Filling instructions included.
WEIGHT	16.15kg empty and 53.93kg filled
SIGN	ANSI compliant identification sign permanently affixed to tank.
QUALITY ASSURANCE	Unit is fully assembled, pressurized and water tested at the factory. Unit is depressurized and emptied prior to shipping. Some assembly required in field.



SIGN INCLUDED



ACCESSORIES

SPRAY HEAD

CODE	GAP470-021
DESCRIPTION:	FS-Plus Spray Head - 1/4" NPT female inlet



SPRAY HEAD

CODE	G470-024R
DESCRIPTION:	FS-Plus Foam Filter - 2.54cm diameter



BOWLS

CODE	G100-008R
DESCRIPTION:	Stainless Steel Bowl



BOWLS - DRAIN PLATE

CODE	GAP150-012B
DESCRIPTION:	Stainless Steel Drain Plate with Cupped Washer and Gasket for Stainless Steel Bowl



SHOWER HEADS

CODE	GAP450-048
DESCRIPTION:	Stainless Steel Shower Head - 1/4" NPT female inlet



SAFETY SHOWER AND EYEWASH KIT

CODE	SETESTKIT
DESCRIPTION:	Safety Shower and Eyewash Kit



OTHER COMPONENTS

CODE	GTESTGAUGE
DESCRIPTION:	Eye and Facewash Testing Template



OTHER COMPONENTS

CODE	G250-060R
DESCRIPTION:	Emergency Equipment Inspection Log Tag



Tobin's Eyewash Systems are well proven, quick and safe way to wash chemicals from the eyes. This specially designed system gives the fastest possible application combined with a volume large enough for most eye accidents.

Eye accidents occur without warning. Common to all accidents are acute pain and sense of blindness. An intense burning sensation makes it feel as if the eyes are on fire. We asked Professor Tengroth at the Eye Clinic at Saint Eriks Hospital in Stockholm how quickly washing should begin and how long it should continue. He replied that it is extremely important to begin washing immediately. Seconds are decisive. A flow of liquid is important as the purpose is to dilute and wash the chemicals out of the eyes.



Chemicals can be divided in to three main categories:

- De-greasing Agents
- Acids
- Alkalines

DEGREASING AGENTS

1 - 3 MINUTES

- Wash not less than 2-3 minutes
- Chemicals such as benzene, cause pain and burning to the eye.
- Begin washing at once and continue until eye is comfortable again.
- These chemicals seldom cause serious damage.

ACIDS

2 - 4 MINUTES
See a doctor

- Wash up to 5 minutes
- When acid reaches the eye, damage begins in 5 seconds.
- The reaction to the eye is severe.
- Washing must begin within 5 seconds.
- Patient should always see a doctor.

ALKALINES

10 - 20 MINUTES
Wash during transport
to a doctor

- Wash for 10-20 minutes
- Alkaline substances such as lye, caustic soda etc cause a very aggressive reaction in the eye.
- Reaction time is even shorter than acids.
- Eye-washing equipment must be within arms length and designed to be used during transportation to a doctor.

01

WITHIN ARMS REACH

Chemicals in the eye causes serious damage within 1-5 seconds. Washing that begins in a few seconds can be decisive in minimising eye damage. A temporarily blinded person trying to reach an eyewash a few meters away requires presence of mind, a good sense of direction and obstacle free passage. *An eyewash should be within arms reach. The bottle are also very easy to open.*

02

CONTROLLED FLOW

According to Professor Tengroth at the Eye Clinic at Saint Eriks Hospital in Stockholm, it is important that damaged eyes are washed by a soft flow. Tobin's bottle is constructed to empty under natural pressure giving a soft flow. When the bottom air vent is opened a patient cannot increase the flow by squeezing the bottle. A bottle gives approx. 3 minutes washing time.

03

SHELF LIFE

As the bottles are disposable, costly refill routines are unnecessary. The contents of the bottle have a 3 year shelf life. Each bottle has an expiry date clearly visible.

04

VOLUME

Uninterrupted washing over a period is particularly important. The 5 bottle stand gives approximately 15 minutes washing. Further bottles can be taken from other stands if required.

05

TRANSPORT

Bottles can easily be removed from the stand and taken along during transportation to the doctor. It is very easy to open the bottles by hand. It is possible to control the flow by placing the thumb over the bottom hole.

06

DUST COVERS

A simple plastic bag accompanies each bottle. It keeps the bottles clean in dusty/dirty environments.

07

LOW PRICE

The cost of the wall-stand with 5 bottles is low, making it possible to give each danger spot its own eyewash station.

08

STERILITY

The regulation governing sterile liquids is rigorous. The bottle cannot contain any bacteria during its shelf life. When a bottle is opened the contents must be used within a few hours or thrown away. Bottles cannot be refilled and as such are designed to stop people saving unused liquid or refilling the bottle with other liquid. Open bottles cannot be replaced in a stand.

STATIONARY STAND

CODE:	T124
DESCRIPTION:	5 x 1 Litre eyewash bottles in a wall-stand for stationary work places. Supplied complete with bottles, wall-stand and wall screws. Provides full 15 minute flush.
MEASUREMENTS:	39cm (H) x 45cm (W) x 10cm (D)



STATIONARY STAND

CODE	T129
DESCRIPTION:	2 x 1 Litre eyewash bottles in a wall-stand. Suitable when space is a problem. (Supplied complete with bottles, wall-stand and wall screws.)
DIMENSIONS	39cm (H) x 20cm (W) x 10cm (D)



MOBILE STAND

CODE	T127
DESCRIPTION:	2 x 1 Litre eyewash bottles in a stand for mobile units such as trucks, boats, trains etc. (Supplied complete with bottles, wall-stand and wall screws.)
DIMENSIONS	34cm (H) x 20cm (W) x 10cm (D)



DUST PROTECTED CABINET

CODE:	T130
DESCRIPTION:	2 x 1 Litre eyewash bottles in a dust protected cabinet suitable for all work places. Supplied complete with bottles, wall-stand and wall screws.
MEASUREMENTS:	25cm (H) x 25cm (W) x 10cm (D)



REPLACEMENT BOTTLES

CODE	T128
DESCRIPTION:	Includes 5 x 1 litre bottles
DIMENSIONS	39cm (H) x 45cm (W) x 10cm (D)



REPLACEMENT BOTTLES

CODE	T126
DESCRIPTION:	Includes 2 x 1 litre bottles
DIMENSIONS	39cm (H) x 20cm (W) x 10cm (D)



STATIONARY WALL STAND - PH NEUTRALISING BUFFER SOLUTION

CODE:	T429
DESCRIPTION:	2 x 1 Litre eyewash bottles in a wall-stand. Suitable when space is a problem. (Supplied complete with bottles, wall-stand and wall screws.) <i>Contains: Buffered solution with a neutralising effect on acidic chemicals.</i>
MEASUREMENTS:	39cm (H) x 20cm (W) x 10cm (D)



CODE	T426
DESCRIPTION:	Includes 2 x 1 litre bottles
DIMENSIONS	39cm (H) x 20cm (W) x 10cm (D)

POCKET EYEWASH FLASK

CODE:	T121
DESCRIPTION:	If it is not practical to have a eyewash station within arms reach, it is possible to carry a personal Pocket Eyewash Flask in the breast pocket. The pocket flask is not sufficient in itself to wash chemicals from the eyes, but can be used on the way to a proper eyewash station. It is very suitable for laboratories, building sites, cleaning staff or anyone with mobile working conditions.
MEASUREMENTS:	17cm (H) x 8cm (W) x 2cm (D) (Weighs 200 grams)



NOTE: Optional Wire Stand for the pocket flask can be purchased. Suitable for farming and road equipment, trucks etc.

CODE: T405
(Sold separately)

DISTRIBUTED BY

Contact us :

Phone 04-232-5111 or by email sales@survive-it.co.nz
Or contact Steven: mobile 0278764960 or steven@survive-it.co.nz



Dalton International Limited

Physical Address: Unit 6, 23 Ash Road, Wiri, Auckland, 2104

Postal Address: PO Box 259041, Botany, Auckland, 2163

Tel: 0800 323 223 or +64 09 263 3142 | Web: www.daltoninternational.co.nz | Email: sales@dilnz.co.nz